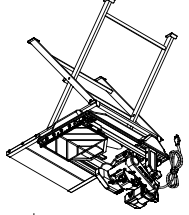
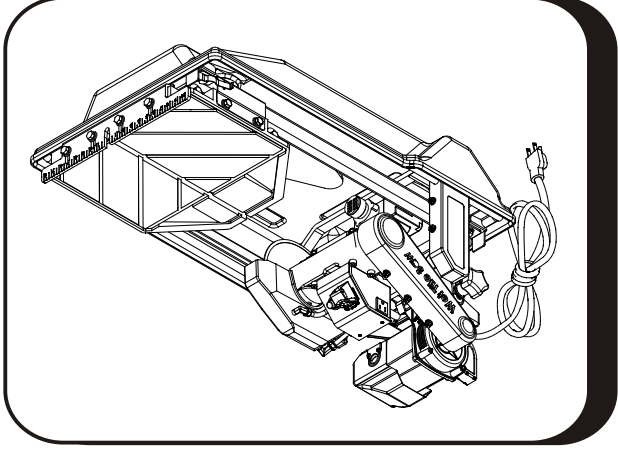


Opcional Mesa Dobladiza
con Banca de Trabajo



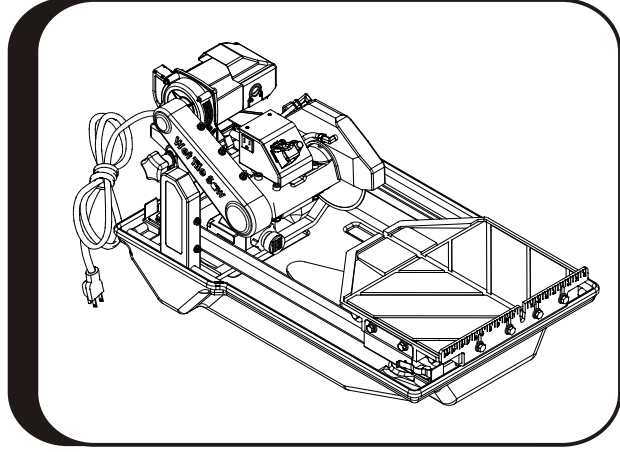
Antes de usar esta maquina, favor de leer
este manual profundamente, y guarde para
referencia futura.



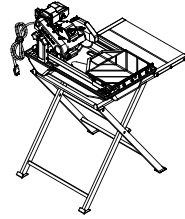
Manual De Operation
SDT-700SR / 710SR
Serie Sierra
Español



Owner's Manual
SDT-700SR/ 710SR
Series Tile Saw



Optional Saw Stand with
Work Bench



*Before operating the unit, please read this
manual thoroughly, and retain it for future
reference.*

TABLE OF CONTENTS

	◆ Page
Contents	1
Safety Precautions	2
General Safety Rules	3
Health Warnings	3
Unpack, Assembly & Set-up	4
Saw Stand Assembly	5
Bearing Housing Installation	5
Blade Installation	6
Tray Installation & Removal	7
Water Pump Installation	7
The Cutting Table	8
Cutting Depth	9
Belt Replacement	9
Electric Motor Specifications	10
Do's & Don'ts for Blades	11
Saw Maintenance	13
Water Pump Maintenance	14
Optional Accessories	15
Troubleshooting	17
Notes	20
How To Order	21
Customer Service	23
Contact Us	24
Warranty	25
Replacement Parts List	27
Saw Exploded View	29
Spanish Version/ Version en Espanol	

SAFETY PRECAUTIONS

Saw blade should be inspected daily for excessive wear, core cracks, and arbor damage. Replace any blade that shows signs of damage.

- To mount blade, clean arbor and outer flanges, tightening nut securely.
- **DO NOT** place any portion of body in line with blade while it is rotating.
- Wet cutting blades must be used with water.
- To reduce risk of electrical shock, we recommend the use of GFCI and to refer servicing to qualified professional.

SawMaster recommends the use of these Safety Items when Operating the Saw:



WEAR HEARING PROTECTION



WEAR EYE PROTECTION



USE BLADE GUARD WHEN OPERATING SAW



WEAR BREATHING PROTECTION

GENERAL SAFETY RULES

- Never use the machine improperly or work in an unsafe manner.
- Always wear safety goggles, dust mask, and ear protection while operating the saw (to comply with ANSI-Z87.1).
- Always remain alert when the saw is in use. Failure to pay attention on the operator's part may lead to serious injury.
- Before you start working, familiarize yourself with the work site and its surroundings. Take notice of circumstances which may impede working or traffic, observe soil conditions (good bearing or not), and take measures to ensure safety (i.e. the shielding of roadworks from public traffic).
- Take measures to ensure that the machine is in a safe and trouble-free condition prior to usage. Use the machine only when all protective devices (i.e. guards, noise absorbers, emergency-off devices) are operating in the intended locations.
- A visual check of the machine must be made at least once a shift to ensure that visible damages or faults are recognized. Any changes (including changes in the performance or behavior of the machine) must be reported to the supervisor. If necessary, stop the machine at once and secure it.
- In the case of a malfunction stop the machine immediately and secure it. Fix the problem as soon as possible.
- For starting and stopping the machine follow the operating instruction steps and observe any indicator lights.
- Before switching the machine on make sure that the activated machine will be of no danger to anyone.
- Be sure to connect the plug to a properly grounded receptacle to reduce the risk of electric shock.

HEALTH WARNINGS:

Some dust are created by power sanding, sawing, grinding, drilling, and cause other construction activities contains chemicals known to cause cancer, birth defects or other reproductive harm. Some examples of these chemicals are:

- Lead from lead based paints,
- Crystalline silica from bricks and cement and other masonry products,
- Arsenic and chromium from chemically-treated lumber.

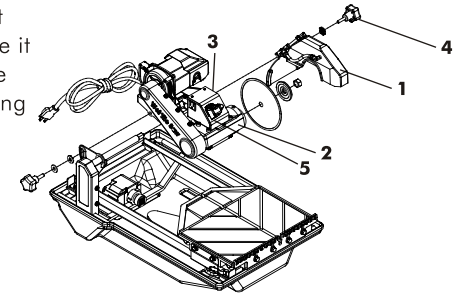
Your risk from these exposures varies, depending on how often you do this type of work. To reduce your exposure to these chemicals: work in a well ventilated are, and work with approved safety equipment, such as those dust masks that are specially designed to filter out microscopic particles.

3

UNPACK, ASSEMBLY & SET-UP

Open the container, carefully lift the saw frame handles and place it on a flat, level working area. Be certain that you have the following items before you discard the container:

- Saw
- Plastic Water Tray
- 7" Saw Blade
- MasterGuide Template Base
- Universal Wrench
- Water Pump
- Miter Block
- Owner's Manual
- Drain Plug



Blade Guard & Blade Assembly

Proceed to the following section to complete assembly of the saw.

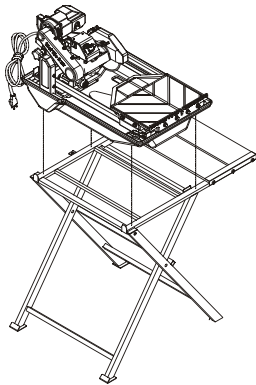
- 1.** Remove the Blade Guard (1) and Saw Blade package from the accessory box.
- 2.** Use the Metal Frame Handles to remove the saw from the box.
- 3.** Slide the Blade Guard into the hex bolt located at the rear Electrical Control Box (3) and fasten tightly using the knob screw .
- 4.** Place the 7" blade onto the shaft , make sure that the directional arrow is pointing in the direction of the shaft rotation. Lift up the Blade Guard, fasten the blade tightly using the outer Flange and Lock Nut .

4

SAW STAND ASSEMBLY

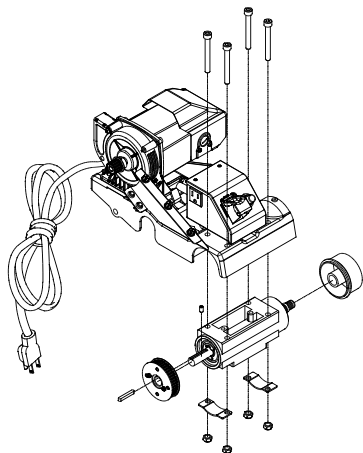
Saw Stand with Workbench

1. Remove the folding stand from its box.
2. Swing the working bench up-right. Open the two legs and place the work bench on top of the folding stand.
3. After the saw stand is completely assembled, place the saw on top of the saw stand.



BEARING HOUSING INSTALLATION

Bearing Housing Removal:



1. Remove the 4 screws on the belt guard (Attach to Belt Guard Bracket).
2. Remove the belt guard.
3. Loosen the tighten screw from the end of motor's Pulley Shaft, remove the Pulley and Belt.
4. Remove the blade lock nut and remove the blade (if there is one present).
5. Remove the precaution label and loosen the 4 screws to remove the Bearing Housing (including the inner flange).

5

To Install the New Bearing Housing:

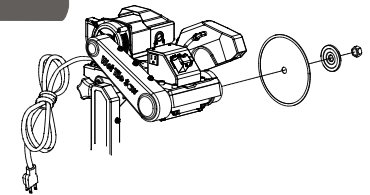
1. Be sure that you have completed the instructions above to remove the old bearing housing.
2. Open the box and carefully place the flat portion of the new bearing housing face-down on a towel situated on a flat surface.
3. Secure the cutting head in a **completely horizontal position**.
4. Slide the new bearing housing with the flat portion facing upwards onto the 4 screws located below the Cutting Head. Do this carefully to avoid damage to the inner flange. Lock the bearing housing into place by using brackets and nuts.
5. Place the Belt on the pulleys, and tighten the Pulley lock screw. Belt tightness has been pre-set, no adjustment necessary.
6. Reinstall the Electrical Control Box with the 4 screws, re-place the precaution label.
7. Replace the belt guard and lock into place using the 6 screws.

WARNING:

Do not adjust the Inner Flange that is attached the bearing housing from the original package.

BLADE INSTALLATION

1. Raise the blade guard to the highest position and tighten the blade guard adjustment knob.
2. Remove the blade shaft nut and outer flange.
3. Place the blade onto the shaft making sure that the directional arrows are pointing in the direction of the shaft rotation.
4. After making sure that the blade is firmly placed against the inner flange, secure it into place with the outer flange and blade shaft nut. With one hand hold the blade tightly and tighten the blade shaft nut with your free hand.



Make certain that the nut is firmly tightened with the wrench provided, but do not over-tighten!

5. Lower the blade guard and tighten the adjustment knob.

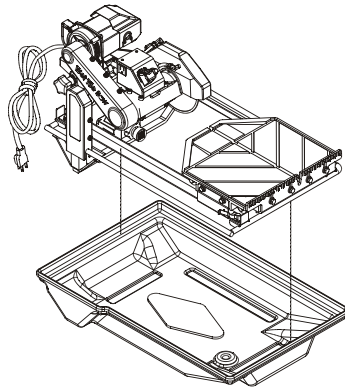
WARNING:

Only use the **Ø7"** blade for this saw. Setting smaller size of diamond blade may grab the material being cut, causing damage and possibly injury.

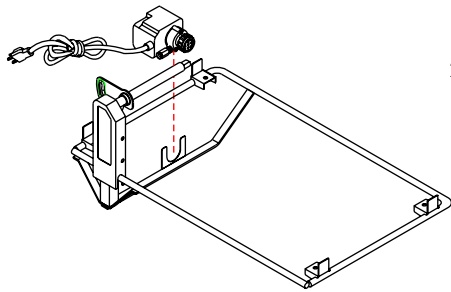
6

TRAY INSTALLATION & REMOVAL

1. Lift up the saw from the inside of the water tray, unplug the drain plug.
2. Drain the water from inside of the water tray, if any.
3. Clean the water tray with a flush of water while holding it upright to remove slug build-up.
4. Replace the saw back to the water tray.
5. Reinstall the drain plug back into the drain hole before filling the tray with water.



WATER PUMP INSTALLATION



1. Remove the water pump from the box and check that it is not damaged.
2. Place the pump into the middle of the water tray along its side so that the water outlet is positioned horizontally. Connect the water hose from the blade guard to the pump and plug the power cord into the 3-prong receptacle.
3. Fill the water tray so that the water intake is fully immersed.
4. Be sure to support the pump during installation to prevent pump failure or damage.

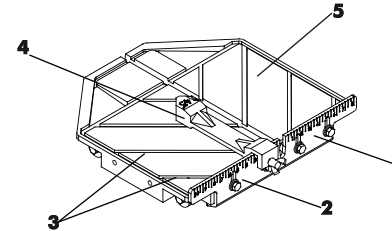
! WARNING:

Disconnect the pump before attempting to handle the pump. Never operate pump without Water in the tray.

7

THE CUTTING TABLE

Features:



- The Adjustable ruler guide (1) enable easy oversize cutting, it is also equipped with inches and centimeters marks (2) for precision cuts.
- Simply line up the material being cut with the appropriate pre-marked lines (3) on the cutting table.
- The 14" cutting table provides more support during larger cutting jobs than the standard 11" cutting tables.

Steps to Use MasterGuide Template Base

1. Set the template base by positioning it on the desired dimension on the cutting table and tightening the universal clamp to the table. Make sure that the template base is firmly tighten. The template base can be used for 90° rip cuts from both the left and right side. The 45° diagonal cuts are quickly achieved with the specially designed fitted notches on the template base of 4", 6", 8" and 10"~14" tiles. (Note the specifically shown dimensions on each notch.)
2. After the template base is positioned for the desired rip cut, place material flat against either side of the template base at the desired measurement.

For 45° diagonal cuts, place the corner of material in the open slot of the measurement rail and adjust the template base to fit the correct tile size.

3. Simply line up the material being cut with the appropriate pre-marked lines on the cutting table.
4. Now you are ready to make your cut.

Steps To make miter cuts:

1. For miter cuts , place the lip of the miter block on the measurement rail, with the threaded knobs facing you.
2. Tighten the threaded knobs to secure the miter block in place.(5).
3. Place material onto miter block and you are ready to cut.

8

CUTTING DEPTH

The recommended cutting depth is 1/4" below the cutting table surface. The cutting clearance inbetween 11/2"-13/4" has been fixed from original designed.

Blade Diameter
7"

Cutting Depth
1-3/4"

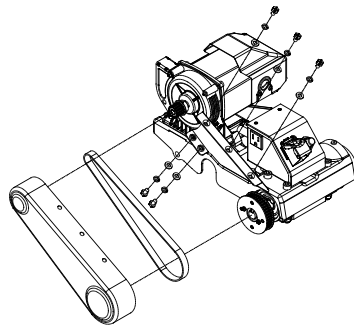
WARNING:

Only use the **Ø7"** blade for this saw. Setting smaller size of diamond blade may grab the material being cut, causing damage and possibly injury.

BELT REPLACEMENT



1. Turn off the saw before proceeding any further.
2. Loosen and remove the belt guard screws and take off the belt guard.
3. Loosen the 6 nuts (front & back) on the cutting head's supporting arm.
4. Leave the blade in position and use your hand to hold the blade shaft tightly. Now loosen the Pulley Lock Screw on the very rear of the motor pulley shaft.



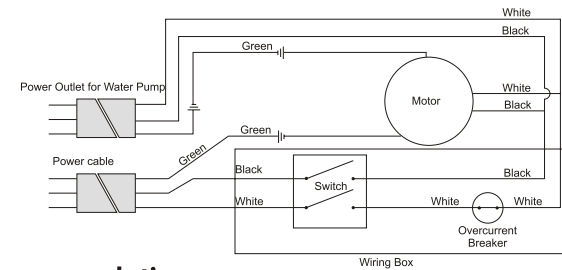
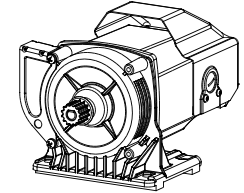
5. Carefully loosen the pulley and belt outward slightly, so there is a little slack in the belt.
6. Take off the old belt and replace with new belt.
7. To reassemble, follow steps in reverse order.

9

ELECTRIC MOTOR SPECIFICATION

Features:

- Horsepower 1 HP
- Volts 115 V
- Amps 15
- Motor RPM 6000 (SDT-700SR/710SR)
- Motor RPM 18000 (SDT-710)
- Cycle 60
- Phase 1



Recommendations:

- It is recommended that a 15 AMP CIRCUIT be used while operating this saw. This will prevent any loss of power or interruption.
- Always plug saw as close as possible to the power source while operating. This will allow you to receive optimum electricity.

WARNING:

To avoid permanent motor damage you must use the correct extension cord. Never use more than one extension cord at a time. Follow the chart for proper size:

WIRE GAUGE	LENGTH OF CORD
1 HP - 115 V	
No. 12	25'
No. 10	50'
No. 8	75'

10

DO'S & DON'TS FOR BLADES

Wet Cut Blades

DO'S

- Inspect blades daily for cracks or uneven wear.
- Always use appropriate blade for material being cut.
- Inspect arbor shaft for uneven wear before mounting blade.
- Always use blades with the correct arbor shaft size.
- Ensure that blade is mounted in the correct direction.
- Secure the blade to the arbor with a wrench.
- Use proper safety equipment when operating the saw.
- Periodically check the blade for cracks or bond fatigue.
- Always have a continuous flow of water on both sides of blade.

DON'TS

- Do not operate the saw without safety guards in position.
- Do not operate the saw with blades larger than 10".
- Do not cut dry with blades marked "Use Wet".
- Do not exceed manufacturer's recommended maximum RPM.
- Do not force blade into material let blade cut at its own speed.

Dry Cut Blades

DO'S

- In addition to the following, always follow wet recommendations.
- Use appropriate blade for material being cut.
- Inspect segment blades for segment cracking or loss.
- Do not use damaged blades.
- Use proper safety equipment when operating the saw.

DON'TS

- In addition to the following, always follow wet recommendations.
- Do not make long cuts with dry blades-- allow them to air cool.
- Do not use the edge or side of blade to cut or grind.
- Do not attempt to cut a radius or curve.
- Do not cut too deep or too fast into the material.
- Do not cut any material not recommended by blade manufacturer.

⚠ WARNING:

For your safety, before performing any maintenance on the saw turn off the power switch and unplug the power cord.

Cleaning**After every use of the machine:**

- Remove dirty water from container.
- Remove dirt and mud from the bottom of the container.
- Rinse the immersion pump with fresh water to prevent water pump clogging from residual dirt.

After wet cleaning and before using the machine again:

- Connect the machine to an electric power outlet equipped with a "GFCI" safety power breaker. If the safety power breaker cuts off the electrical power supply, do not try to operate the machine but have it checked by an authorized dealer first.

Before & After A Prolonged Time**Before not using the machine for a prolonged period of time:**

- Clean and lubricate all movable parts.

After not using the machine for a prolonged period of time:

- Check that the legs are safely fixed.
- Check that all screw joints and nuts are fixed.
- Check that the roller table is in its guides and that it easily moves to and fro.
- With the saw blade removed, switch on the motor for an instant and switch it off again. If the motor does not run, have the machine inspected by a qualified electrician.

13

After not using the machine for a prolonged period of time:

- Check that the immersion pump works properly. Turn on the cooling water tap and switch the machine on. If the pump does not give any water or only a little, switch the machine off at once. Clean the pump, or replace if necessary.

Temperature Changes**Ambient Temperature Below 32°F (Winter)**

- To prevent the water in the pump and cooling system from freezing, remove the water after using the machine or when there will be a long break. Make sure that the cooling system is entirely drained so that there is no water left inside the pump and water hose!

WATER PUMP MAINTENANCE

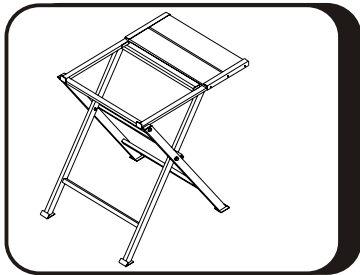
When the machine has not been used for a long period of time, hard packed dirt may begin to build up inside the pump and block the pump wheel. If the machine is activated with the immersion pump blocked, the electric motor of the pump will be damaged within a few minutes! Please follow the steps listed below to clean the pump before operating the saw.

1. Unscrew the pump filter.
2. Remove the immersion pump from the water container.
3. Clean the immersion pump.

4. Loosen the fixing screws of the pump lid.
5. Take the lid off the pump (be careful not to damage the gasket located inside with a sharp object!)
6. Clean the pump lid.
7. Remove all dirt and incrustations from the pump wheel.
8. Check whether the pump wheel can be easily turned.
9. Then reassemble the immersion pump correctly and check whether it works properly.

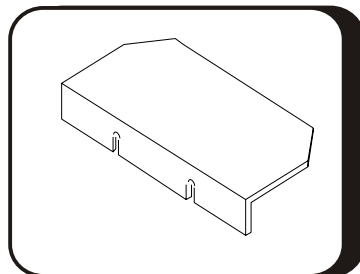
14

OPTIONAL ACCESSORIES



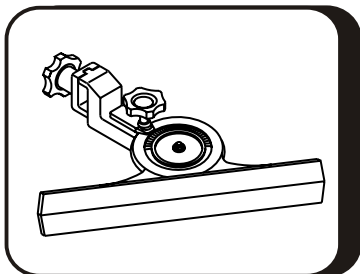
SAW STAND WITH WORKBENCH

Part No. **S700-13**



EXTENSION TABLE

Part No. **S1000-36**

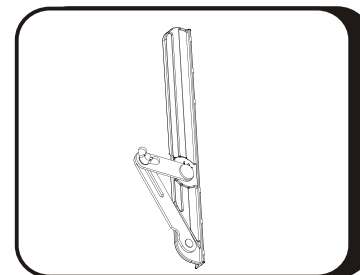


ANGLE GUIDE

Part No. **S1000-44**

MASTERGUIDE DETACHABLE RULER GUIDE

Part No. **S1000-MG2**



TROUBLESHOOTING

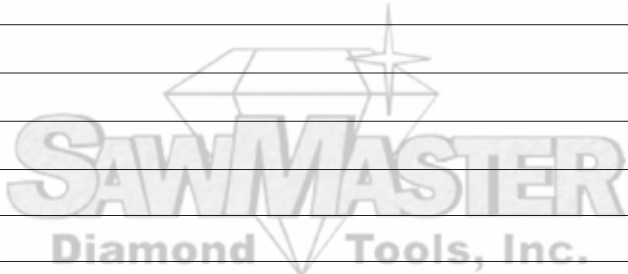
PROBLEM	POSSIBLE CAUSE	SOLUTION
Machine does not run when switched on	- Power cord not properly fixed/plugged in	- Check that the machine is properly connected to the power supply
	- Power cord defective	- Have the power cord checked, replace if necessary
	- Main power switch defective	- Have the main power switch checked and replace if necessary by a qualified electrician
	- Loose electrical connection inside the electric system	- Have the whole electric system of the machine checked by a qualified electrician
Motor stops (power cut out)	- Motor defective	- Have the motor checked and replaced if necessary by a qualified technician
	- Too much pressure exerted while cutting	- Exert less pressure when cutting
	- Incorrect specification for saw blade	- Use a saw blade which corresponds to the material being cut
Poor machine performance little power	- Saw has a defective electric system	- Have the electric system of the saw checked by a qualified technician
	- Power cord/extension cable too long or cable still wound up inside cable drum	- Use a power cord/extension cable of the rated length, use a cable drum with cable fully extended
	- Power network is insufficient	- Observe the electrical ratings of the machine and connect it only to a power network which complies with these ratings

PROBLEM	POSSIBLE CAUSE	SOLUTION
	- Drive motor no longer runs at rated speed (r.p.m.)	- Have the motor checked by a qualified electrician and have it replaced if necessary
Insufficient flow of cooling water or no cooling water at all	- The pump draws air	- Fill the container with water
	- Filter clogged	- Clean the filter of the pump
	- Pump wheel of the immersion pump blocked by dirt	- Disassemble the immersion pump and clean
Irregular run of the saw blade	- Poor tension in the blade material	- Return the saw blade to the manufacturer
Saw blade wobbles when running	- Saw blade is damaged or bent	- Have the saw blade aligned/flattened
		- Clean the receiving flange
		- Solder the diamond segments of the old blade onto another saw blade or use a new blade
	- Flange of the saw blade is damaged Shaft of the motor is bent	- Replace the saw blade flange - Replace the electric Motor
Diamond segment becomes loose	- Overheating of the saw blade; cooling water not sufficient	- Have the diamond segment soldered on the blade again; ensure optimum flow of cooling water
Excessive wear	- Wrong type of saw blade	- Use harder saw blades
	- Shaft of motor causes wobbling - Overheating	- Have bearings of the motor or the motor replaced
		- Ensure optimum flow of cooling water

TROUBLESHOOTING

PROBLEM	POSSIBLE CAUSE	SOLUTION
Cracks in or near the diamond segment	- Saw blade too hard - Fixed flange is worn out	- Use a softer blade - Have the fixed flange replaced
	- Motor shaft bearing	- Replace the bearing of the motor shaft
Saw blade is blunt	- Saw blade type is unsuitable for the material being cut	- Use appropriate type of saw blade
	- Saw blade type is unsuitable for the machine performance - Saw blade too hard - Diamond segments are blunt	- Sharpen the diamond saw blade
Appearance of cut is not optimal	- Poor tension in the blade material	- Return the saw blade to the manufacturer
	- Too much load placed on the saw blade - Diamond segments are blunt	- Use a suitable saw blade - Sharpen the saw blade
The center hole in the saw blade has become wider due to wear	- The saw blade has slipped on the motor shaft when running	- The arbor of the saw blade must be fitted with an appropriate adaptor ring - Check the receiving flange and have it replaced if necessary
Saw blade shows blooming colors	- Saw blade overheating due to a lack of cooling water	- Ensure an optimum flow of cooling water
	- Lateral friction when cutting	- The material feed is too high; proceed more slowly
Grinding marks on the saw blade	- Material is not being fed parallel to the saw blade	- Ensure that the direction of feed is absolutely parallel to the saw blade
	- Poor tension in the blade material - Too much load on the saw blade	- Adjust the roller table/have it adjusted - Have the saw blade tensioned - The material feed is too high, proceed more slowly

NOTES:



HOW TO ORDER:

Information Needed For Ordering:

- Serial Number of the Saw
- Model Number of the Saw
- When it was purchased and where
- Part Description

To Order:

We at SawMaster pride ourselves on our customer service. If you need to order replacement parts, please contact our customer service department. You can e-mail or call us at the contact information listed below.

Customer Service:

Phone: (888) 688-6899

Web: www.sawmaster.com

Email: sales@sawmaster.com

Prices

All orders are subject to Prices and Terms of sale in effect on date of shipment. SawMaster changes its prices to reflect market trends in the industry, so that its products remain competitive in quality and pricing. Prices on SawMaster.com are considered up-to-date and take precedence over any published prices (e.g. price lists, catalogs, and other forms of advertisements).

Promotional prices and discounts are subject to verification after order is placed. The customer will be notified if there are any errors found in pricing that affect the invoice amount.

Terms of Payment

Net 30 days from date of invoice, unless otherwise specified.

Delivery & Freight

Shipments are F.O.B. for orders of \$800.00 or more. This includes all SawMaster products, including diamond blades and tools, saws, parts, and accessories. All other orders not meeting this amount are subject to freight charges, which will be included on the invoice once it is determined.

SawMaster reserves the right to select origin of shipment, routing and method of transportation.

Premium freight charges (such as air freight) will be at Purchaser's expense (shipped collect or added onto invoice). Written authorization by letter or fax must be received from Purchaser prior to shipment leaving SawMaster. All Purchaser requests for such premium freight shipments, whether acknowledged in writing or not, are the liability of the Purchaser.

Material not in stock when order placed by customer will be shipped as soon as possible thereafter.

Return Merchandise Authorization (RMA)

No products are to be returned without prior SawMaster written authorization and then only in accordance with SawMaster's instructions and terms. Proof of Purchase (copy of SawMaster's invoice along with serial number of items) should accompany all RMA requests.

All returned products must be in sellable condition, include all components, and be packed in original packaging. Any returns not satisfying these conditions will be promptly returned to the customer at their expense. The customer is liable for the purchase value of any damaged goods.

CUSTOMER SERVICE:

After Sale Service

All customer service (technical questions, re-order of parts, etc.) will be provided by SawMaster.

All spare parts for after sales service will be stocked and shipped from Corona, CA.

If requested, SawMaster may arrange for our sales representatives to hold a training class for product knowledge at our dealer's location.

Claims for Lost or Damaged Goods

If merchandise is delivered in damaged condition or cartons are missing, a notation must be placed on all papers signed by the receiver. If unreported or concealed damages are noticed after delivery, the carrier should be contacted by telephone and if carrier fails to send an inspector within five days, a request should be made in writing to the carrier, confirming the telephone request for an inspection.

All requests for credit due to transportation loss or damage should be accompanied by properly signed papers. A claim for loss or damage must be filed with the carrier within 60 days from the shipping date for UPS or other common carriers. Credit cannot be allowed for damage claims that are not properly substantiated with supporting papers or received by SawMaster too late for timely filing with the carrier.

CONTACT US:

We at SawMaster pride ourselves on our customer service. If you have any questions regarding our products, whether it may be product inquiry or troubleshooting, please don't hesitate to contact us at our corporate office. We will do our best to answer your questions. In some cases we may even refer you to a local sales representative that can better service you. You can email or call us at the contact information listed below:



Customer Service:

Phone: (888) 688-6899

Web: www.sawmaster.com

Email: sales@sawmaster.com

SAWMASTER LIMITED 1 YR WARRANTY

1. SAW:

For a period of one (1) year from the original date of purchase, if the product is determined to be defective, SawMaster will repair or replace the product, at its option, at no charge to the customer, or pay the associated repair costs to a SawMaster authorized service facility. All replacement parts, new or rebuilt, supplied at SawMaster's option for repairs will be warranted for the remainder of the original warranty period of one (1) year. All defective products or components replaced under this limited warranty will become the property of SawMaster. This limited warranty excludes all components not manufactured by SawMaster, which are listed below with their corresponding independent warranty periods. Such components are warranted by their respective manufacturer, whose warranty will be the governing warranty for that particular product.

Excluded Components	Manufacturer's Warranty
Electric Motors	1 year
Water Pumps	Varies by Model See Accompanied Warranty for details.

2. BLADE BOUGHT FROM SAWMASTER

If the bond between the steel core and segment or rim fails during the normal useful life of the blade, SawMaster will replace the blade at no cost to the customer.

This warranty does not cover cosmetic damages or damages due to (1) misuse, abuse, negligence, accident, or modifications of the product or any of its components; (2) improper operation or failure to provide reasonable maintenance; or (3) attempted repair by any party other than a SawMaster authorized service facility. All products are subject to wear and tear under normal use. As such, the customer is responsible for all costs associated with the maintenance of said product, including the purchase of replacement components thereof.

To obtain warranty service, you must take the product, or deliver the product freight prepaid, in either its original packaging or packaging affording an equal degree of protection, to any authorized SawMaster service facility, along with proof of purchase in the form of a bill of sale, within the warranty period specified above. Warranty may be void if additional damages are incurred during transportation due to inadequate packaging.

SawMaster shall not be responsible for or obligated to pay for freight or other transportation related costs or expenses in connection with any defective products or components that are either returned to SawMaster's facility or any authorized repair station and/or any replacement products or components that are shipped from SawMaster pursuant to this Warranty.

SAWMASTER SHALL NOT BE LIABLE FOR ANY INCIDENTAL OR CONSEQUENTIAL DAMAGES FOR BREACH OF ANY EXPRESS OR IMPLIED WARRANTY, OR NEGLIGENCE. SUCH DAMAGES INCLUDE, BUT ARE NOT LIMITED TO, LOSS OF PROFITS, LOSS OF REVENUE, LOSS OF USE OF THE PRODUCT, AND DOWN TIME. SAWMASTER'S LIABILITY SHALL NOT EXCEED THE REPLACEMENT COST OF ANY DEFECTIVE PRODUCT OR COMPONENT THEREOF. THIS LIMITED WARRANTY IS IN LIEU OF ALL OTHER WARRANTIES, WHETHER EXPRESSED OR IMPLIED.

Exclusions From Warranty

SawMaster cannot assume responsibility for claims arising from abuse of the SawMaster product:

- Due to abuse by the Purchaser in their processing.
- Due to improper installation practices or procedures.
- Due to abuse or improper usage by the end-user.
- Due to contaminants, including, but not limited to, exposure to salt or fresh water, chemicals and any other form of contamination from a source outside of SawMaster's control.

REPLACEMENT PARTS LIST SDT-700SR/SDT-710SR SERIES

PART NAME	PART No.
1 Power Cable (SDT-700SR)	S700-17
Power Cable (SDT-710SR)	S710-01
2 1HP Brush Motor Universal (includes Motor Cable) (SDT-710SR)	171002
1HP Induction Motor (SDT-700SR)	170002
3 Motor Shaft Pulley (SDT-710SR)	S710-03
Motor Shaft Pulley (SDT-700SR)	170003
4 Motor Adjustment Clip	S710-04
5 Mounting Plate	S710-05
6 Belt Guard Bracket (SDT-710SR)	S710-06
Belt Guard Bracket (SDT-700SR)	170034
7 Timing T Shape Belt (SDT-710SR)	S710-07
Timing T Shape Belt (SDT-710SR)	170023
8 Belt Guard (SDT-710SR)	S710-08
Belt Guard (SDT-700SR)	170022
9 Belt Guard Screws, Spring Washers, Washers (set of 4)	S700-10
10 Blade Shaft	S1000-13
11 Blade Shaft Pulley (SDT-710SR)	S710-11
Blade Shaft Pulley (SDT-700SR)	170011
12 Sliding Rails (set of 2) (SDT-700SR/SDT-710SR)	170012
13 Water Pump	S700-28
14 MasterGuide Detachable Ruler Guide	S1000-MG2
15 Mounting Plate Adjustment Knob	100021
16 Rear Support Post (included in Metal Frame & Motor Support Shaft)	170016
17 Inner Flange Bearing	S1000-12.1
18 Polypropylene Water Tray	170017
18.1 Drain Plug	V35015
19 Motor Protection Cover (SDT-710SR)	S710-19
Motor Fan Cover (SDT-700SR)	170019
20 Bearing Housing Lock Bolts and Nuts	0329SP
21 Bearing Housing Secure Brackets (set of 2)	S1000-49
22 Pulley Bearing	S1000-12
23 Inner Flange	S700-20
24 Outer Flange	S700-22
25 Blade Lock Nut	S1000-17
26 Cutting Table Position Braquet	170030
27 U-Shape Ball Bearing Rollers (set of 2)	S1000J-24
28 Miter Block (Metal)	S700-34
29 Universal Wrench	S1000-41
30 45° /90° Rip Guide	S1000-35
31 180° Adjustable Angle Guard	S1000-44

PART NAME	PART No.
32 MasterGuide Multiangle Guide	S1000-MG
33 Power Switch Housing (w/Power Switch, Circuit Breaker, & Power Cable (SDT-710SR)	S710-33
Power Switch Housing (w/Power Switch, Circuit Breaker, & Power Cable (SDT-700SR)	170033
34 Power Toggle Switch	S1000-03
35 Circuit Breaker (SDT-710SR)	S710-35
Circuit Breaker (SDT-700SR)	S700-03
36 Water Flow "T" Adapter	S1000-20
37 Water Flow "L" del Adapter	S1000-45N
38 Blade Guard Adjustment Knob	100018
39 Blade Guard	S700-02
40 Teflon Angle Bar Rollers (set of 2)	S1000-25
41 Cutting Table (Includes Wheels & Ruler Guide)	S1000J-23
42 Ruler Guide	170027
43 Saw Stand with Workbench	S700-13
44 Complete LCBH (Liquid Cooling Bearing Housing) (SDT-710SR)	S710-44
Complete LCBH (Liquid Cooling Bearing Housing) (SDT-700SR)	170045
45 Rubber Splash Guard	S700-37
46 Carbon Brushes (set of 2) (SDT-710SR)	S710-46
Running Capacitor (SDT-700SR)	170020
47 Brush Cap (SDT-710SR)	S710-47
48 MasterGuide Template Base	S1000-MG1

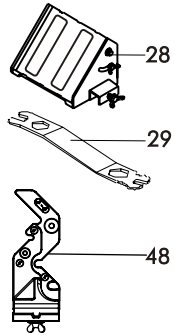


Note: If there is any part that is needed and has not been included in this parts list, please contact our customer service 1-888-688-6899.

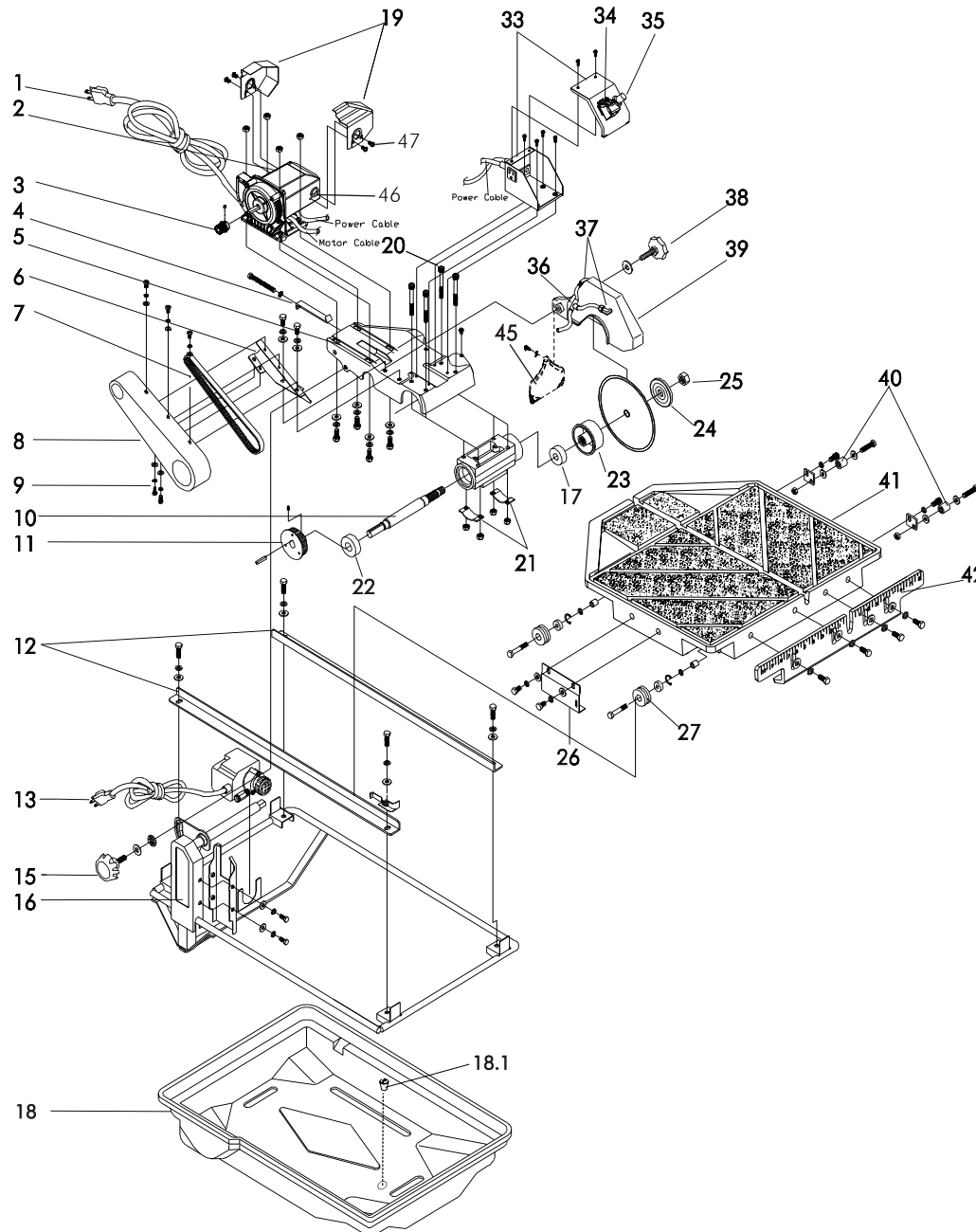
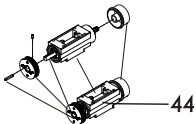
SAW EXPLODED VIEW SDT-710SR

DIAGRAMA DE LA SIERRA

SDT-710SR Accessories Included (Accesorios Incluidos)

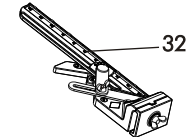


LCBH Bearing Housing Package (Accesorios Incluidos)

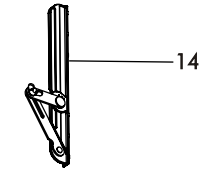


OPTIONAL: OPCIONAL:

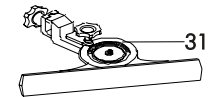
MASTERGUIDE 45°/90° Guia Maestro 45°/90°



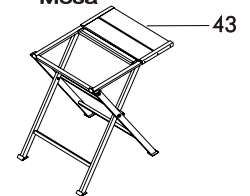
DETACHABLE RULER GUIDE (Requires Template Base) Guia de Reglas (necesita la Plantilla de Base)



180° ANGLE GUIDE 180° Guia Angular



SAW STAND WITH WORKBENCH Soporte Doblado con Mesa



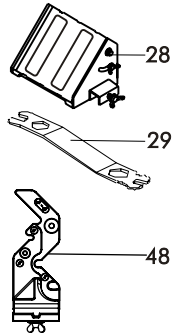
45°/90° RIP GUIDE 45°/90° Guia de Corte



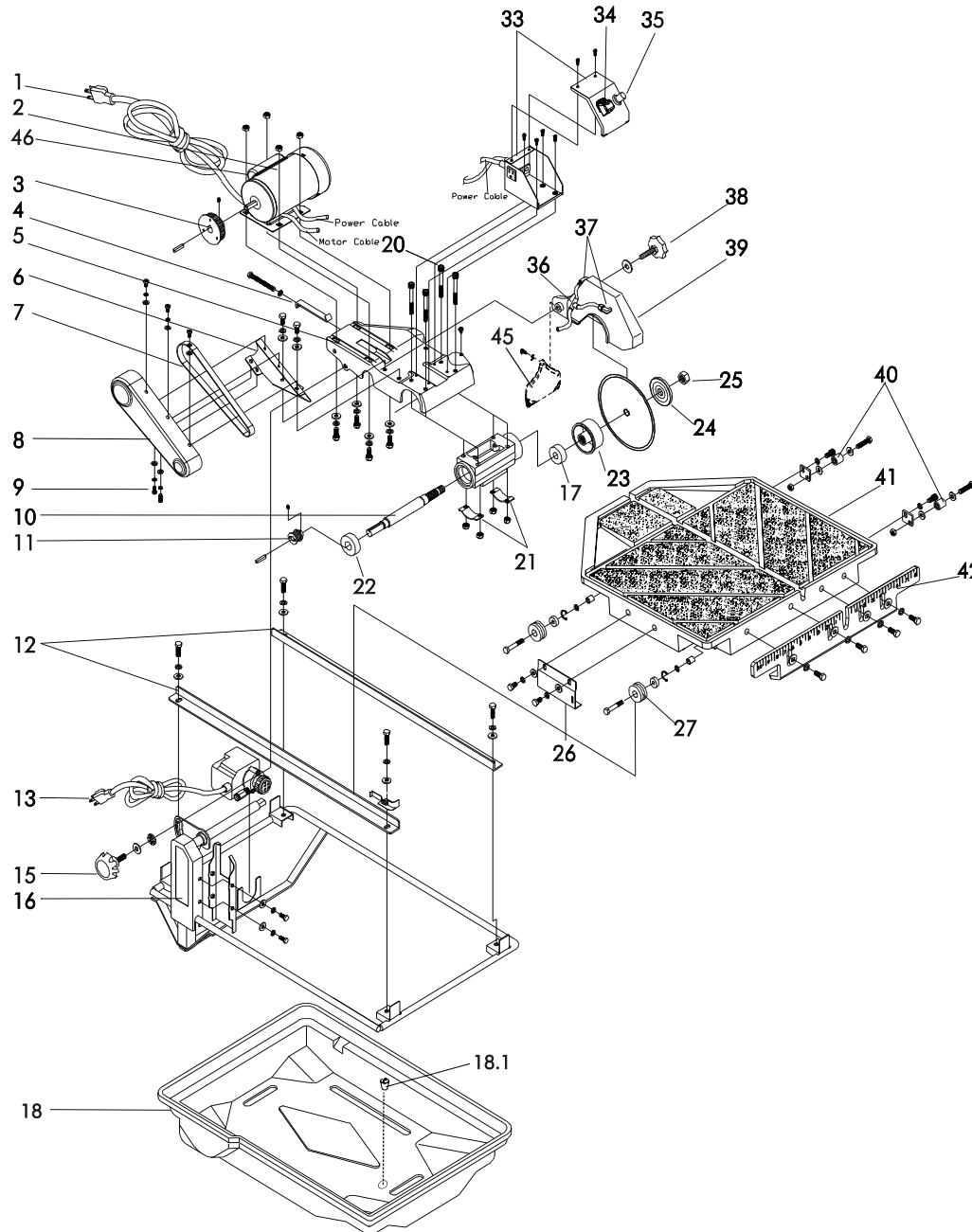
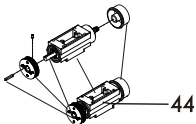
SAW EXPLODED VIEW SDT-700SR

DIAGRAMA DE LA SIERRA

SDT-700SR Accessories Included (Accesorios Incluidos)

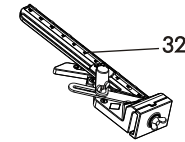


LCBH Bearing Housing Package (Accesorios Incluidos)

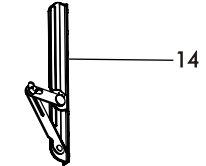


OPTIONAL: OPCIONAL:

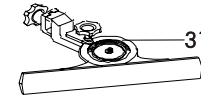
MASTERGUIDE 45°/90° Guía Maestro 45°/90°



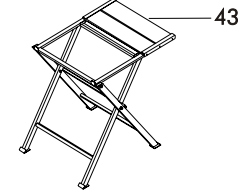
DETACHABLE RULER GUIDE (Requires Template Base) Guía de Reglas (necesita la Plantilla de Base)



180° ANGLE GUIDE 180° Guía Angular



SAW STAND WITH WORKBENCH Soporte Doblado con Mesa



45°/90° RIP GUIDE 45°/90° Guía de Corte

